



High Quality Mattresses



POCKET-SPRING-UNIT MATTRESS

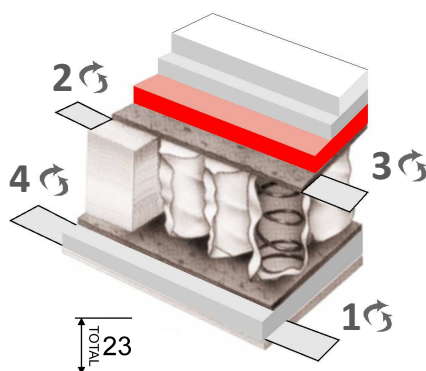
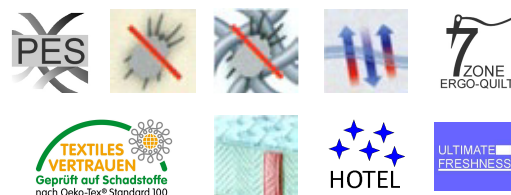
type:

HOTEL-ERGO-19

core:



cover:



With optimized sleeping comfort this mattress is specifically designed and crafted for the high quality needs of the hotel-business. It is considered the individual needs of the hotel guest and takes into account the high product-needs of modern premium/first-class hotels.

The most common criteria for the hotel-guest referring his well sleep in a hotel bed is the hardness of the mattress, followed by hygienic criteria. This mattress-type offers here a harder and a softer lying surface in just one product, so this mattress can be adapted by simply turning according to the guests wish. At the same time it is provided with a high-quality doublestitch fabric, which contributes by its property the needs of allergic disposed people.

Our 1/2/3/4 TURNING-LABELS allow the hotel staff, to determine the time of the last turning and it gives the hotel-management a control-possibility to control if and when the mattresses have been turned from the housekeeping (or by the guest).

First-class hotel-comfort
Pocket-Spring-unit mattress
Total height: app. 23-24cm

CORE: point-elastic, solid POCKETSPRING-UNIT. Special treated and pressed felt on 2 sides. Surrounded and covered with PU-foam. On one side is a extremely strong and firm rebound-foam-plate (80-100 kg/m³) integrated so it provides two different firm sleeping surfaces. They are labeled as HARDSIDE and SOFTSIDE. Core-height: app. 19cm
COVER/ CASE: breath active ,special treated doublestitch-material. In ergonomical 7-zone-quilting with app.300g/m² PES-thermo-fibre. The treatment of the covermaterial provides a reduction of mite population. Quilted border side edged with mattress-tape. The mattress-cover is not removable and not washable. This mattress is produced incl.4 handles (textile retainers) so it is easier to turn it. The cover includes 1/2/3/4 TURNING-LABELS which allow to easily to find out which surface side was in use at last.

PLAY SAVE!

We recommend to use Bärenschlaf-International® boxspringbeds only in combination with suitable Bärenschlaf-International® mattress.

Holger Klute e.K.
Bärenschlaf-International®
Bunsenstr. 28
D-34466 Wolfhagen
GERMANY

Litbed bedding
company UAB
Geliu g. 27
LT-21366 Vievis
LITHUANIA

